

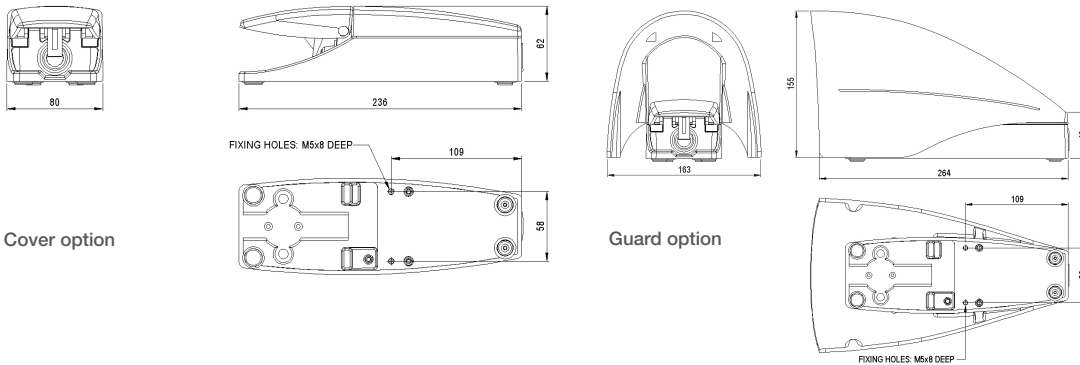
# 6255 'Mistral' Industrial Foot Air Valve **herga**

Technology Ltd

- The Mistral offers high performance and style
- Average life expectancy 1 x 10<sup>6</sup> operations
- Rugged high performing heavy duty footswitch
- Available in a choice of colour combinations and valve port threads
- The guard is large enough to allow operator to wear industrial protective shoes



## Reference dimensions



## Ordering information

Stock models : 6255-AAAA-AAZ0  
6255-BAAA-AAZ0

6255 - A A A A - A A Z 0

### Model

#### Cover and guard colours

- |                |                |
|----------------|----------------|
| A Cover Yellow | B Guard Yellow |
| C Cover White  | D Guard White  |
| E Cover Blue   | F Guard Blue   |

Other colours available subject to MOQ – contact sales for details

#### Base colour

- A Black

#### Base configuration

- A Entrance ports on each side of base

#### Tread colour

- A Black

#### Valve action

- |  |
|--|
| A Momentary 5/2 valve 1/8" BSP ISO R228 Standard |
| B Momentary 5/2 valve 1/8" NPT                   |

#### Pneumatic rating

- A Maximum operating pressure: 10,000 mbar, Temperature -20°C to +80°C

# 6255 'Mistral' Industrial Foot Air Valve **herga**

Technology Ltd

## Technical data

Maximum operating pressure	10 bar (145 PSI / 1000 kPa)
Air condition	Filtered to 40 microns lubricated or dry
Flow rate at 6 bar (87 PSI / 600 kPa)	22 CFM (620 NL/min)
Ports	ISO R228 (1/8" BSP) standard or NPT
Orifice size	6 mm

## General specifications

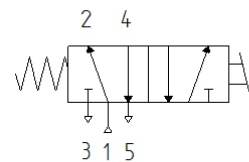
Standards/approvals	n/a
Degree of protection	n/a
Connection method	n/a
Electrical rating	n/a
Contact configuration	See table
Pressure range	10 bar max.

Operating temperature range	-5 °C to + 50 °C
Body material	Die cast aluminium
Weight	Cover/unguarded 0.8 Kg / guarded 1.5 Kg
Additional information	

## Connection data

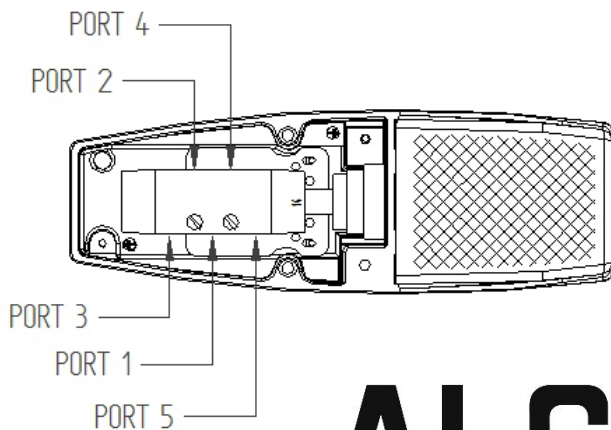
Valve connected as a 5/2 Valve

- The air supply should be connected to port 1
- Port 2 and 4 are outlet or cylinder ports
- Ports 3 and 5 are exhaust ports and should be left open to atmosphere or fitted with silencers. See note below



Note:

We recommend that the exhaust ports of the valve are fitted with silencers. These will reduce the noise of the exhausting air and prevent dirt entering the valve.



# ALCYON

ÉLECTRONIQUE

RD 11 – BP20 – 78650 Beynes – France

Tel : +33 (0) 134 947 700

[info@alcyonelectronique.fr](mailto:info@alcyonelectronique.fr)

Fax : +33 (0) 134 875 340

[www.alcyonelectronique.fr](http://www.alcyonelectronique.fr)



Herga Technology Ltd - Northern Way - Bury St. Edmunds - Suffolk - IP32 6NN - UK  
[sales@herga.com](mailto:sales@herga.com) • [www.herga.com](http://www.herga.com) • +44 (0)1284 701422

Subject to change without notice